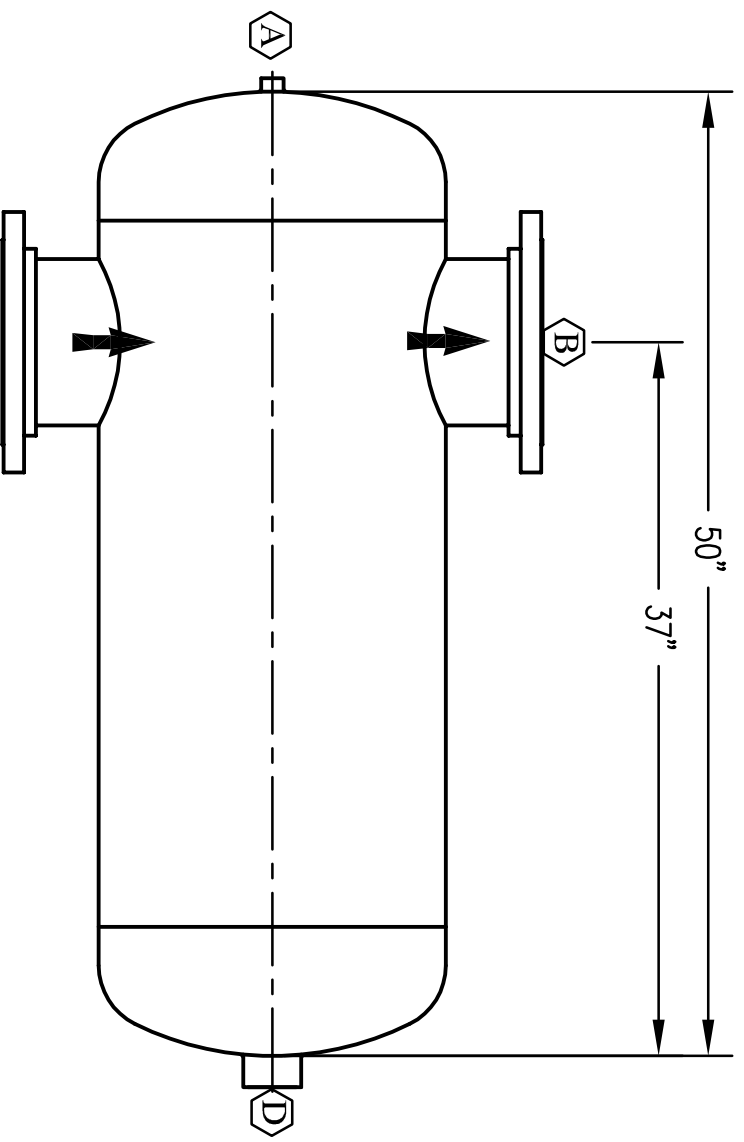


**ORIENTATION**



**PLAN VIEW**

NOZZLE SCHEDULE			
MARK	SIZE	SPEC	NOZ. TYPE FUNCTION
A	1/4"	6000#	CPLG VENT
B	8"	150#	R.F.S.O. INLET
C	8"	150#	R.F.S.O. OUTLET
D	2"	3000#	CPLG DRAIN

NOTE:  
 1. DESIGNED, FABRICATED AND STAMPED IN ACCORDANCE WITH ASME CODE SECTION VIII, SECTION 1.

2. SEPARATOR ELEMENTS AVAILABLE IN CARBON STEEL, 304 & 316 STAINLESS STEEL, OR OPTIONAL ALLOYS UPON REQUEST.

3. ABOVE DIMENSIONS NOT FOR CONSTRUCTION

4. ALL DIMENSIONS ARE IN INCHES

5. APPROXIMATE WEIGHT 480 LBS

**CONSTRUCTION**  
 A.S.M.E. SECTION VIII DIVISION I  
 2004 EDITION 2006 ADDENDA  
 A.S.M.E. STAMP REQUIRED

DESIGN SPECIFICATIONS	
NO. OF PASSES	N/A
DES. PRESS.	250 PSI/FV
DES. TEMP.	300 F.
CORR. ALL.	1/16
HYDRO. TEST	325 PSIG
STRESS REL.	NONE REQ'D
RADIOGRAPH	NONE REQ'D
M.D.M. T	-20 F. @ 250 PSY/FV

REVISION: 0			
NO.	DESCRIPTION	BY DATE	NO.

**DIDION SEPARATOR COMPANY**



**DIDION'S MECHANICAL**  
 A DIVISION OF  
**NOT BIGGEST...BEST!**  
 PH: (419) 483-2226  
 FX: (419) 483-4382  
 MODEL #: DST-8-150  
 FABRICATION DETAILS  
 DATE: 11-29-07  
 APPR. DDII  
 DATE: 11-29-07

THIS DRAWING AND ALL INFORMATION ON IT IS THE PROPERTY OF DIDION'S MECHANICAL. IT IS CONFIDENTIAL AND IS GIVEN TO YOU FOR A LIMITED PURPOSE AND MUST BE RETURNED ON REQUEST. NEITHER THIS DRAWING NOR ANY PART OF IT NOR ANY INFORMATION CONCERNING IT MAY BE COPIED, EXHIBITED OR FURNISHED TO OTHERS NOR MAY PHOTOGRAPHS BE TAKEN OF ANY ARTICLE FABRICATED OR ASSEMBLED FROM THIS DRAWING WITHOUT CONSENT OF DIDION'S MECHANICAL.