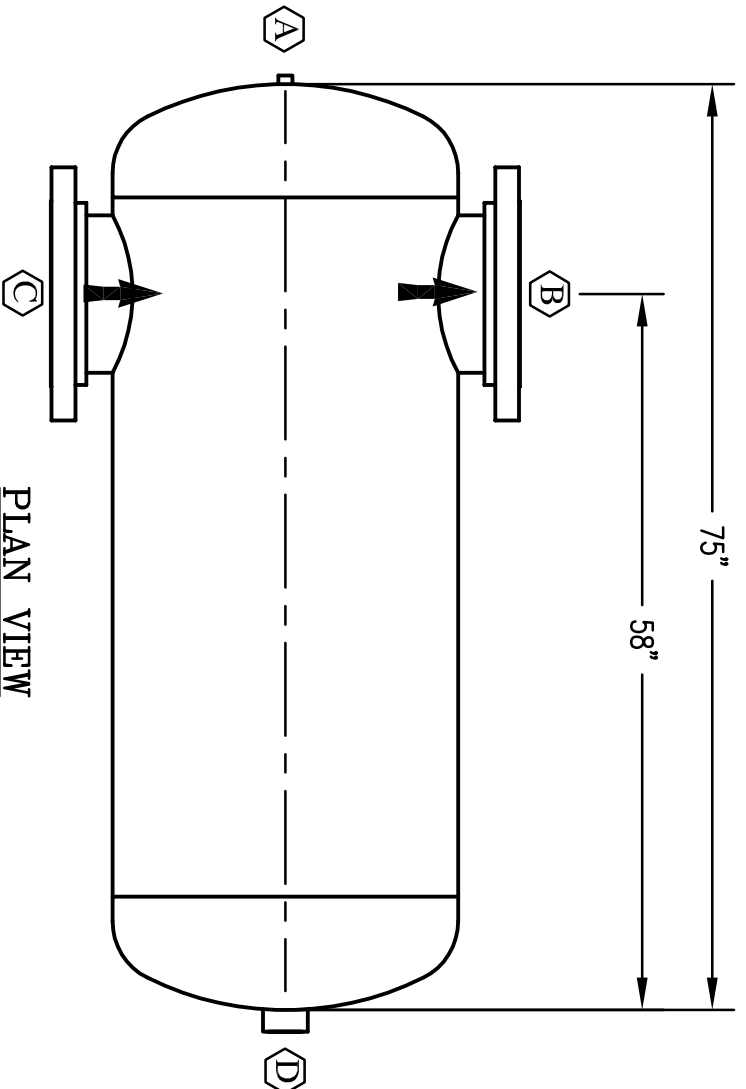


ORIENTATION



PLAN VIEW

NOZZLE SCHEDULE				
MARK	SIZE	SPEC	NOZ. TYPE	FUNCTION
A	1/4"	6000#	GPLG	VENT
B	12"	300#	R.F.S.O.	INLET
C	12"	300#	R.F.S.O.	OUTLET
D	1/2"	3000#	GPLG	DRAIN

NOTE:
1. DESIGNED, FABRICATED AND STAMPED IN ACCORDANCE WITH ASME CODE SECTION VII, SECTION 1.

2. SEPARATOR ELEMENTS AVAILABLE IN CARBON STEEL, 304 & 316 STAINLESS STEEL, OR OPTIONAL ALLOYS UPON REQUEST.

3. ABOVE DIMENSIONS NOT FOR CONSTRUCTION

4. ALL DIMENSIONS ARE IN INCHES

5. APPROXIMATE WEIGHT 1505 LBS

CONSTRUCTION
A.S.M.E. SECTION VIII DIVISION I
2004 EDITION 2006 ADDENDA
A.S.M.E. STAMP REQUIRED

DESIGN SPECIFICATIONS

NO. OF PASSES	N/A
DES. PRESS.	450 PSI/FV
DES. TEMP.	650 F.
CORR. ALL.	1/16
HYDRO. TEST	585 PSIG
STRESS REL.	NONE REQ'D
RADIOGRAPH	NONE REQ'D
M.D.M. T	-20 F. @ 450 PS/FV

REVISION: 0				
NO.	DESCRIPTION	BY DATE	NO.	DESCRIPTION

DIDION SEPARATOR COMPANY

A DIVISION OF



PH: (419) 483-2226
FX: (419) 483-4382
DIDION'S MECHANICAL
NOT BIGGEST... BEST!
WEB: didionseparator.com
e-mail: dmec@didionsmech.com

DESCRIPTION: SEPARATOR

MODEL #: DST-12-300
FABRICATION DETAILS

NO.	DESCRIPTION	DATE	APPR.	DDII	DATE

THIS DRAWING AND ALL INFORMATION ON IT IS THE PROPERTY OF DIDION'S MECHANICAL. IT IS CONFIDENTIAL AND IS GIVEN TO YOU FOR A LIMITED PURPOSE AND MUST BE RETURNED ON REQUEST. NEITHER THIS DRAWING NOR ANY PART OF IT NOR ANY INFORMATION CONCERNING IT MAY BE COPIED, EXHIBITED OR FURNISHED TO OTHERS NOR MAY PHOTOGRAPHS BE TAKEN OF ANY ARTICLE FABRICATED OR ASSEMBLED FROM THIS DRAWING WITHOUT CONSENT OF DIDION'S MECHANICAL.