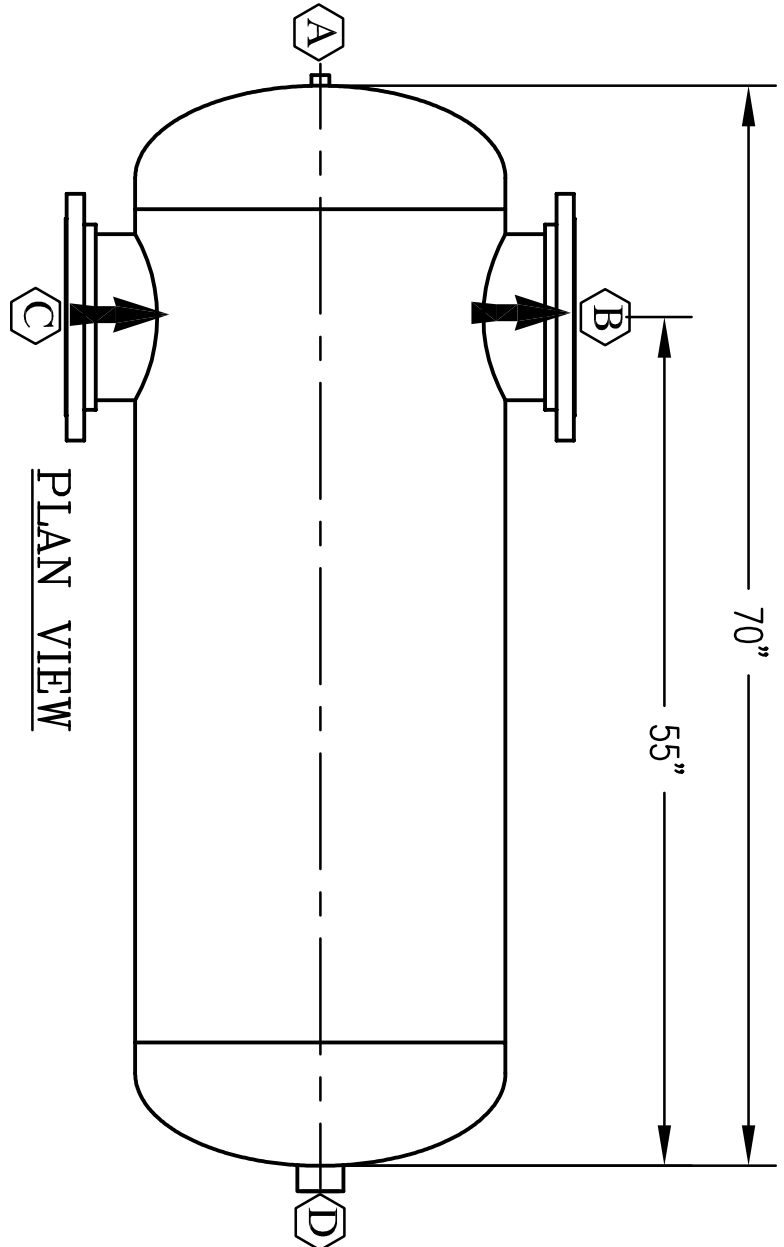


ORIENTATION

NOZZLE SCHEDULE			
MARK	SIZE	SPEC	NOZ. TYPE FUNCTION
A	1/4"	6000#	CPLG VENT
B	10"	150#	R.F.S.O. INLET
C	10"	150#	R.F.S.O. OUTLET
D	2"	3000#	CPLG DRAIN

NOTE:
 1. DESIGNED, FABRICATED AND STAMPED IN ACCORDANCE WITH ASME CODE SECTION VIII, SECTION 1.
 2. SEPARATOR ELEMENTS AVAILABLE IN CARBON STEEL, 304 & 316 STAINLESS STEEL, OR OPTIONAL ALLOYS UPON REQUEST.
 3. ABOVE DIMENSIONS NOT FOR CONSTRUCTION
 4. ALL DIMENSIONS ARE IN INCHES
 5. APPROXIMATE WEIGHT 770 LBS



PLAN VIEW

CONSTRUCTION
 A.S.M.E. SECTION VIII DIVISION I
 2004 EDITION 2006 ADDENDA
 A.S.M.E. STAMP REQUIRED

DESIGN SPECIFICATIONS		DESIGNATION	
NO. OF PASSES	N/A	MODEL #:	DST-10-150
DES. PRESS.	250 PSI/FV	FABRICATION DETAILS	
DES. TEMP.	300 F.	DATE:	11-29-07
CORR. ALL.	1/16	APPR.	DDII
HYDRO. TEST	325 PSIG	DATE:	11-29-07
STRESS REL.	NONE REQ'D	DRAWING NUMBER	
RADIOGRAPH	NONE REQ'D	DST-10-150	
M.D.M. T	-20 F. @ 250 PS/FV	REV.	0

DIDION SEPARATOR COMPANY
 A DIVISION OF



PH: (419) 483-2226
 FX: (419) 483-4382
 DIDION'S MECHANICAL
 NOT BIGGEST... BEST!
 WEB: didionseparator.com
 e-mail: dmec@didionsmech.com

NO.	DESCRIPTION	BY DATE	NO.	DESCRIPTION
REVISION: 0				
DESCRIPTION: SEPARATOR				

THIS DRAWING AND ALL INFORMATION ON IT IS THE PROPERTY OF DIDION'S MECHANICAL. IT IS CONFIDENTIAL AND IS GIVEN TO YOU FOR A LIMITED PURPOSE AND MUST BE RETURNED ON REQUEST. NEITHER THIS DRAWING NOR ANY PART OF IT NOR ANY INFORMATION CONCERNING IT MAY BE COPIED, EXHIBITED OR FURNISHED TO OTHERS NOR MAY PHOTOGRAPHS BE TAKEN OF ANY ARTICLE FABRICATED OR ASSEMBLED FROM THIS DRAWING WITHOUT CONSENT OF DIDION'S MECHANICAL.